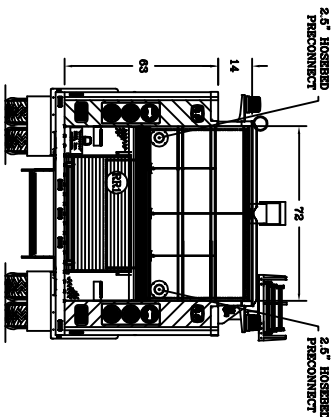
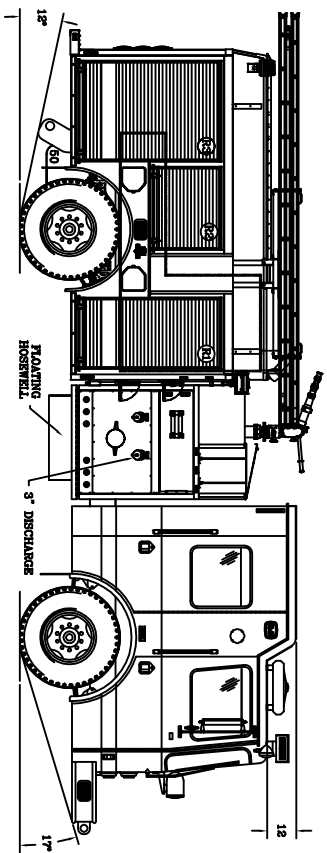
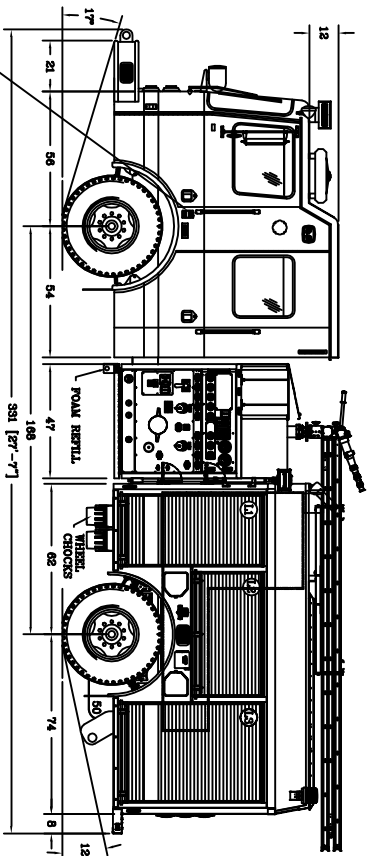


KISSMAUI 90 AMP SUPER AUTO FUSE



THIS DRAWING IS REPRESENTATIVE OF THE APPLICANTS PROPOSED DESIGN. IT IS THE RESPONSIBILITY OF THE APPLICANT TO VERIFY THE ACCURACY OF THE INFORMATION AND TO OBTAIN ALL NECESSARY PERMITS AND APPROVALS WITHIN THE PROPOSED JURISDICTION.

This drawing along with any changes made and submitted by both the Applicant and the Department shall be considered and applied to the "As Shown" basis. Any changes to the contract specifications and drawings after the Applicant's date will be addressed via appropriate change order signed and approved by both the Applicant and the Department. A Bill of Materials shall be submitted with this drawing.

APPROVED BY: _____ DATE: _____
 DRAWN BY: _____ DATE: _____
 CHECKED BY: _____ DATE: _____
 DESIGNED BY: _____ DATE: _____

CREATED WITH AUTOCAD

LET	REV	DATE	DESCRIPTION
A	1	02 JULY '07	ORIGINAL RELEASE
B	1		REVISION

HME
 HME DEMO TRUCK

1950 BYRON CENTER AVE.
 WYOMING, MI. 49509

DATE: 07 JUNE '07
 DRAWN BY: R. JONES
 CHECKED BY: J. JONES
 DESIGNED BY: J. JONES

PROJECT: 21239
 SHEET: 1 OF 1